



Installation Instructions

Page 1 of 12

July 31, 2002

Group Description

Bulletin Number

Product Development

SUBJECT

Alpine CD Changer Installation

MODEL

Z4 (E85) with / without Navigation (SA609)

These instructions were developed especially for BMW vehicles and are not to be compared to any existing instructions for vehicles other than BMW. No methods other than those specified in this document are to be used to install Alpine CD Changer in Z4.

PARTS INFORMATION

Reference Number	Description	Qty	BMW Part Number
1	Alpine CD Changer	1	82 11 0 028 760
2	Installation Kit	1	65 12 0 152 827

Installation Kit Contents:

Part Description	Qty	Part Number
Installation Instructions	1	01 29 0 152 828
CDC bracket	1	65 12 8 370 925
CD Changer Screw (M4x6)	2	07 11 9 901 061
CDC Bushing	2	65 12 8 363 548
Bushing Screw (M4x10)	2	07 11 9 903 568
Mounting Bolt (M5x14)	6	07 11 9 902 007
Clip Nut (M5)	6	61 13 1 372 033
Oddments Box Small*	1	51 46 7 043 817
LH Bracket*	1	65 10 6 910 719
RH Bracket*	1	65 10 6 910 720
Mounting Bolt (M6x10)*	4	07 11 9 913 981
Navi Bracket*	1	65 90 8 370 933
Storage Insert Navi*	1	51 46 7 043 819

* - Not used for vehicles with Navigation

Average Installation Time: 2.0 Hours (Without Navigation)
1.5 Hours (With Navigation)

Required Tools

#2 Phillips Driver

T20 Torx Driver

T30 Torx Driver

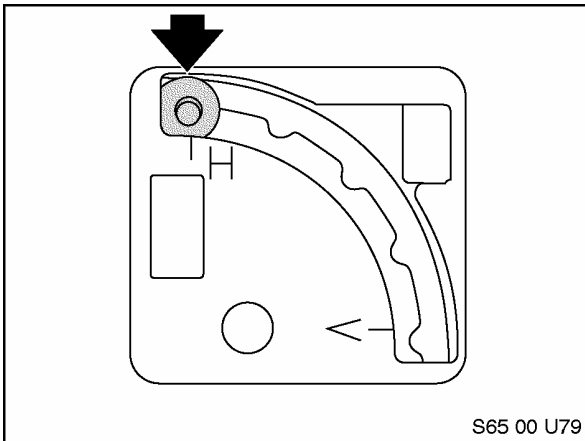
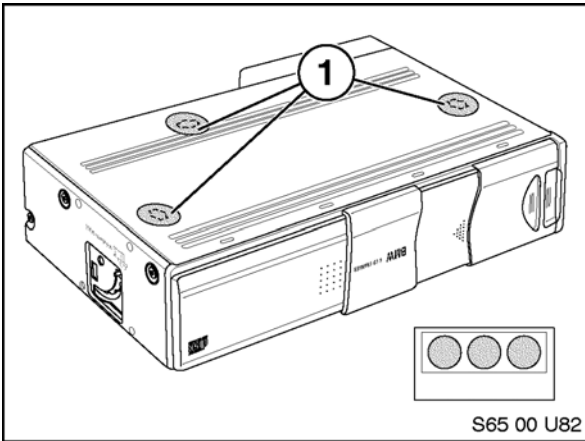
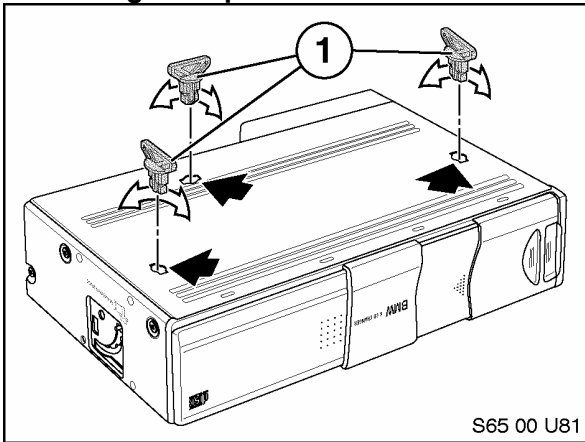
8mm Nut Driver

Navigation Module Removal Tool (BMW P/N 90 88 6 655 400) (Navi Only)

Please initial and route to the following for information before filing										
<input checked="" type="checkbox"/>	Service Manager	<input type="checkbox"/>	<input checked="" type="checkbox"/>	Warranty	<input type="checkbox"/>	<input checked="" type="checkbox"/>	Service Technicians - Initial Below			
<input checked="" type="checkbox"/>	Service Advisor	<input type="checkbox"/>	<input type="checkbox"/>	Parts Mgr.	<input type="checkbox"/>	<input type="checkbox"/>	<input type="checkbox"/>	<input type="checkbox"/>	<input type="checkbox"/>	<input type="checkbox"/>
<input checked="" type="checkbox"/>	Service Advisor	<input type="checkbox"/>	<input type="checkbox"/>	Body Shop	<input type="checkbox"/>	<input type="checkbox"/>	<input type="checkbox"/>	<input type="checkbox"/>	<input type="checkbox"/>	<input type="checkbox"/>
<input checked="" type="checkbox"/>	Shop Foreman	<input type="checkbox"/>	<input type="checkbox"/>	PDI Dept.	<input type="checkbox"/>	<input type="checkbox"/>	<input type="checkbox"/>	<input type="checkbox"/>	<input type="checkbox"/>	<input type="checkbox"/>

★ ★ **FIX IT RIGHT THE FIRST TIME, ON TIME, EVERY TIME** ★ ★

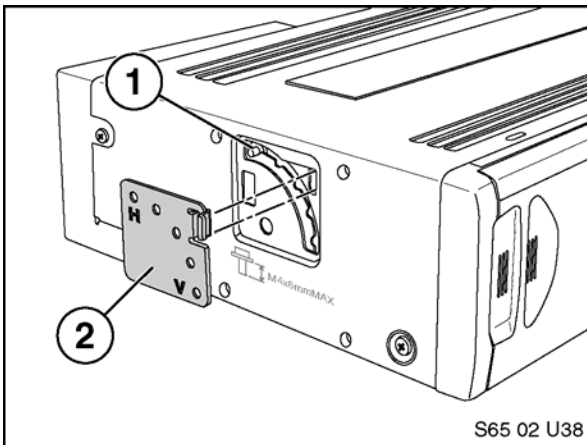


PROCEDURE:**CD Changer Preparation**

1. Remove the three shipping transport screws (1) from CD changer.

2. Cover the holes where the shipping screws were installed with the 3 adhesive seals (1) supplied with the unit.

3. Adjust the CD changer mechanism pins for proper settings. Mechanism should be set to "H" on both sides of unit for horizontal mounting position.

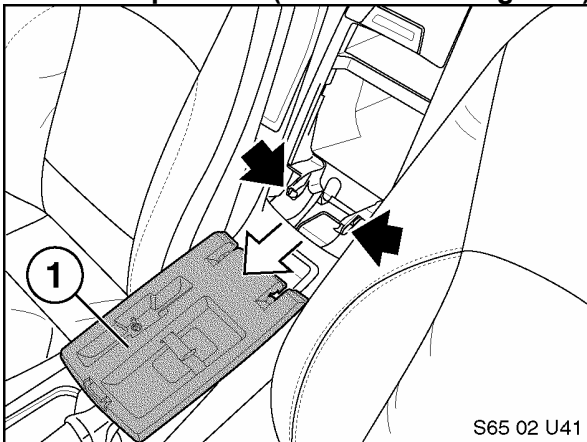


4. Affix the locking squares (2) on the left and right sides of the CD changer chassis to firmly secure the pins (1) in place.

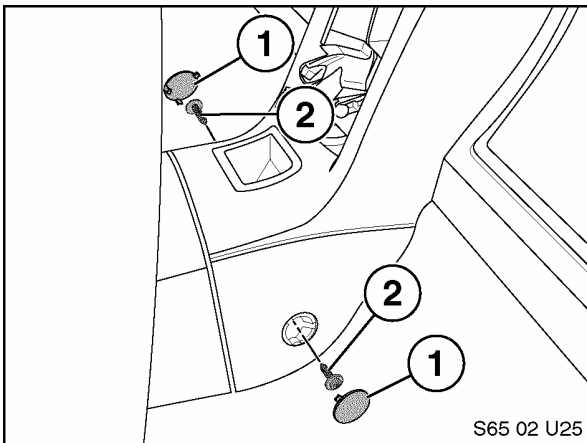
For Z4 *without* Navigation continue below.

For Z4 *with* Navigation continue on Page 9.

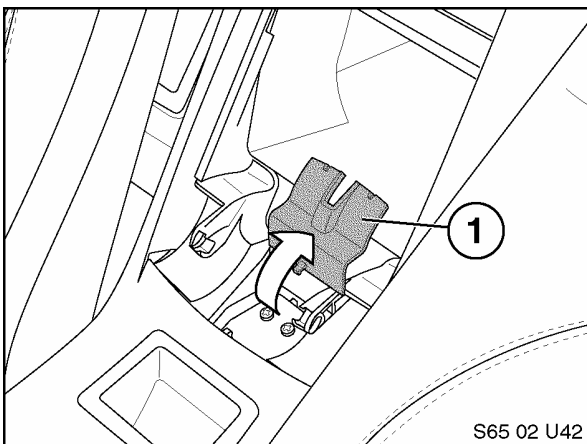
Vehicle Preparation (Z4 Without Navigation)



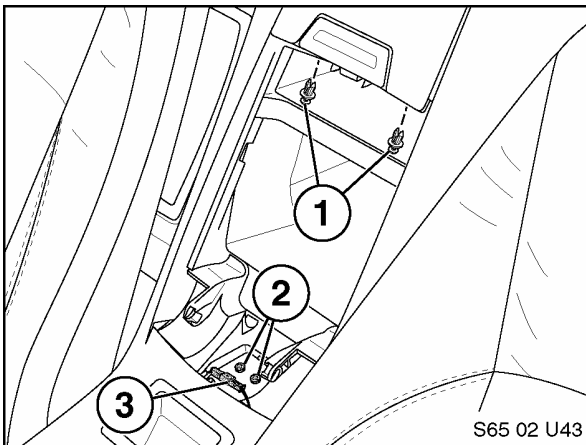
5. Lower Soft Top.
6. Disengage Front Panel (1) from mounting points (indicated by black arrows) by carefully pulling panel towards front of vehicle while in the lowered position.



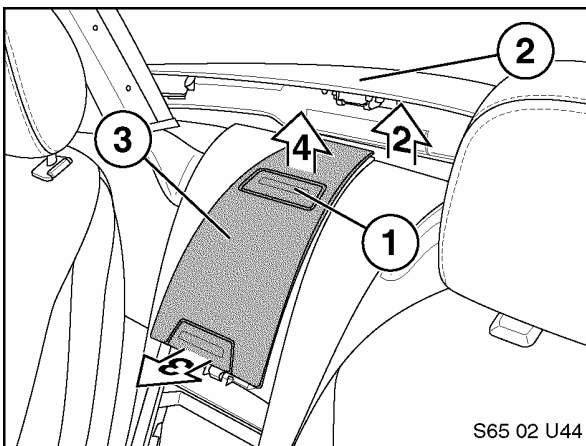
7. Slide seats forward. Remove left and right lower panel covers (1) and mounting screws (2).



8. Lift rearward and remove Switch Panel Cover (1) to expose mounting screws.

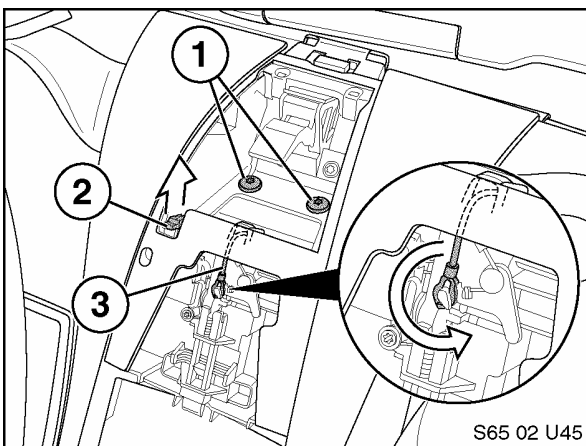


9. Unscrew 2 Phillips-head plastic rivets (1) and remove clips from vehicle.
10. Remove 2 T20 Torx screws (2).
11. Unplug electrical connector attached to microswitch (3).

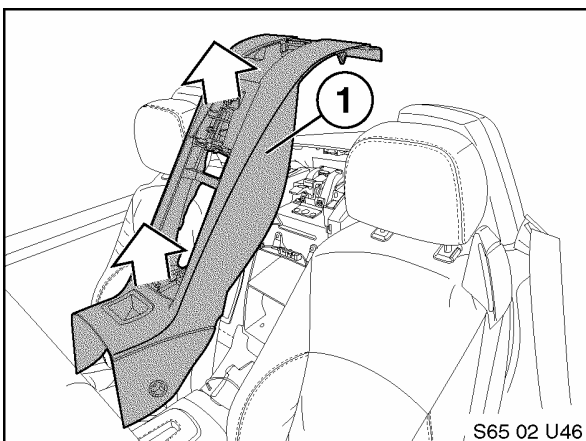


Note: To complete the following steps it will first be necessary to disengage and lift the soft top (1) from its locked position by at least 3 inches.

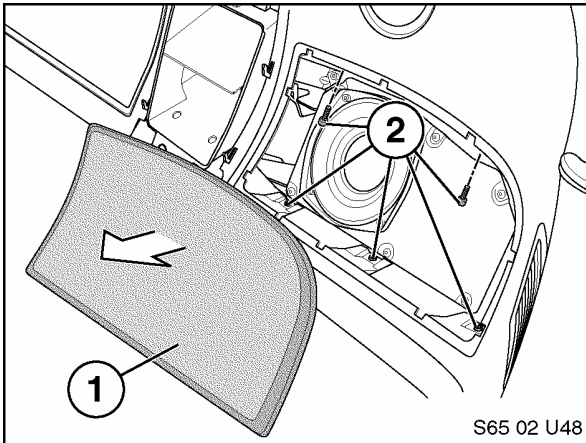
12. Pull lower half of Upper Panel Cover (2) until it disengages from the lower mounting clips.
13. Pull upper half of Upper Panel Cover upwards until it can be removed from the vehicle.



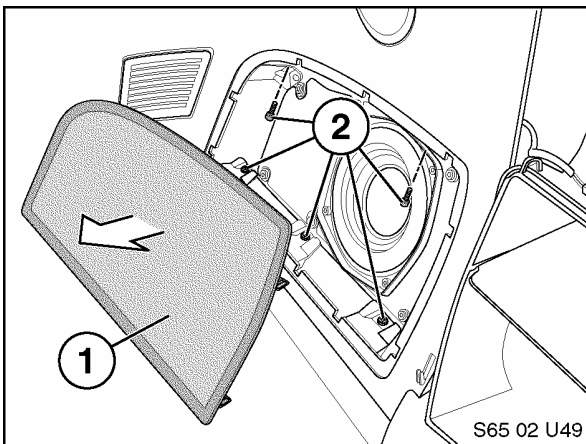
14. Remove 2 T30 Torx bolts (1).
15. Unplug electrical connector (2).
16. Rotate Manual Override cable clip (1) counter-clockwise, then pull to disconnect from override lever.



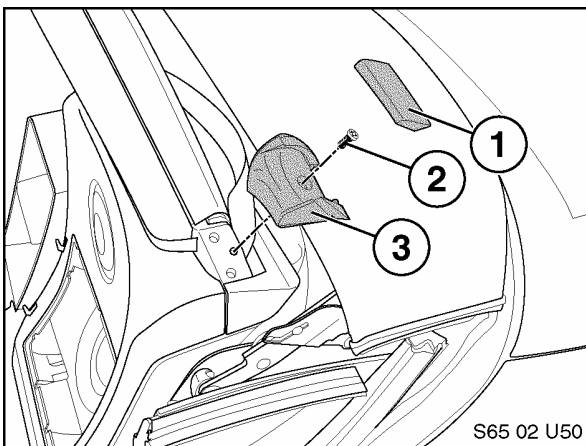
17. It is now possible to remove Rear Console Assembly (1). Disengage upper clips by lifting assembly upwards and out of the vehicle.



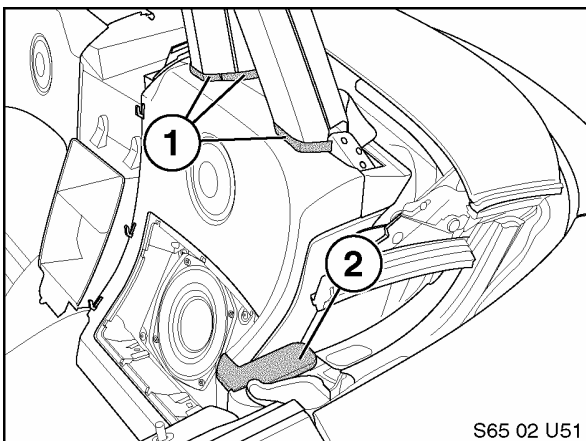
18. Remove Left Speaker Grille (1) by carefully pushing outwards (from the rear) or with a non-marring pry tool. Remove 5 T20 Torx screws from left panel (2).



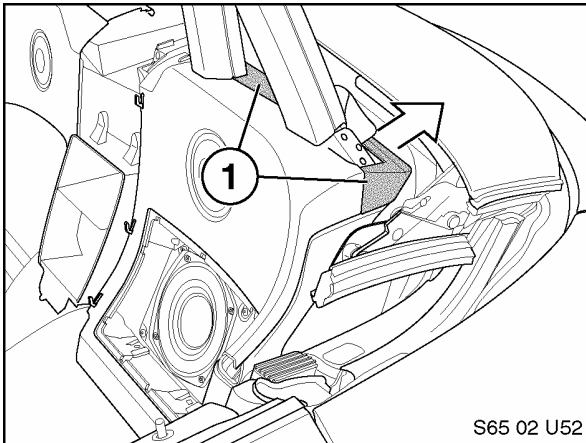
19. Remove Right Speaker Grille (1) by carefully pushing outwards (from the rear) or with a non-marring pry tool. Remove 5 T20 Torx screws from Right panel (2).



20. Carefully remove Left seatbelt guide cover (1), then remove T20 screw (2) and seatbelt guide (3).

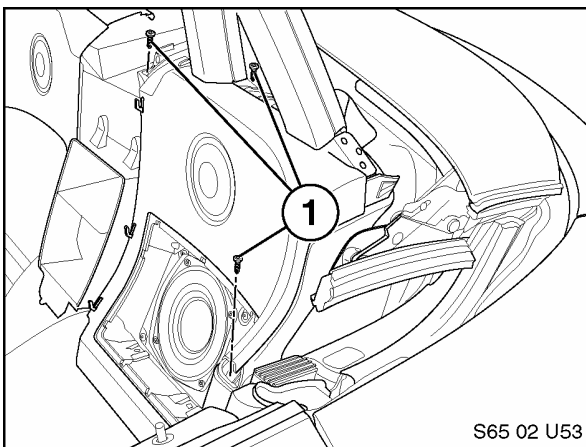


21. Remove rubber strips (1) around both left roll bars. Remove rubber cap (2).

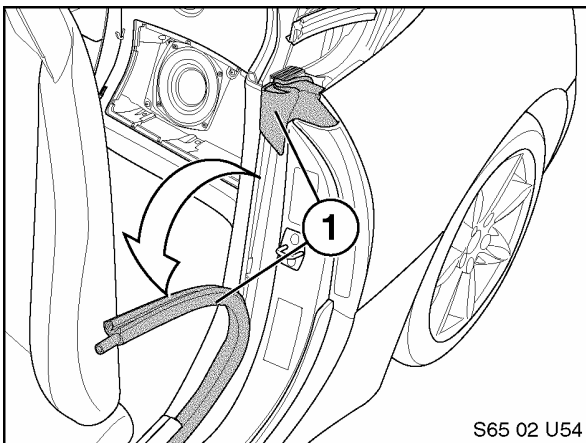


22. Carefully pull rearwards on rear panel cover (1) and remove from vehicle.

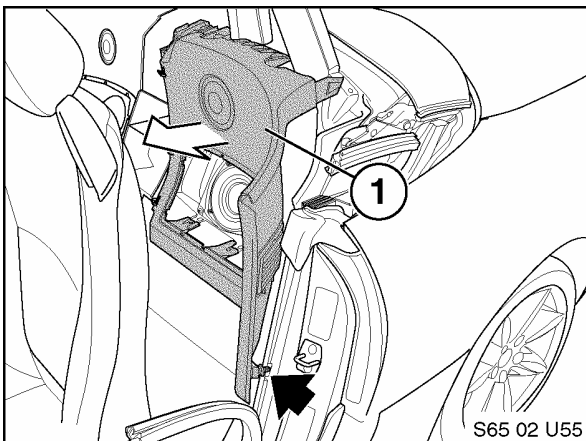
Note: *Begin to pull rear panel cover from its clip locations nearest to the center of the vehicle. It may be helpful to raise the convertible top to maneuver the cover from its location.*



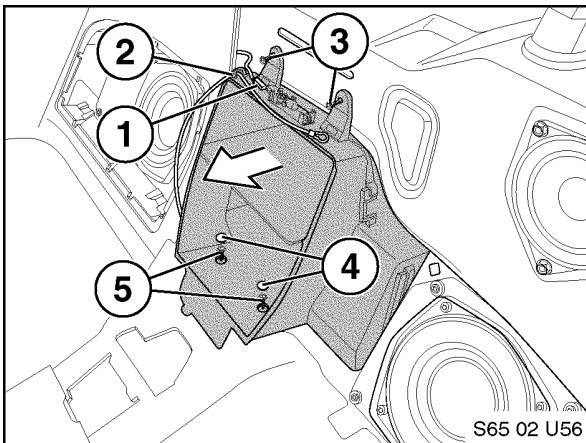
23. Remove 3 T20 screws (1).



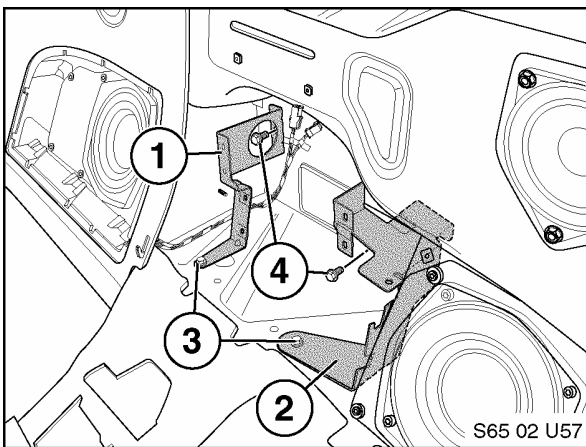
24. Pull back drivers door weather-stripping (1) to expose edge of Left panel.



25. Carefully unclip lower Left panel (indicated by black arrow), then remove Left panel (1) from vehicle.

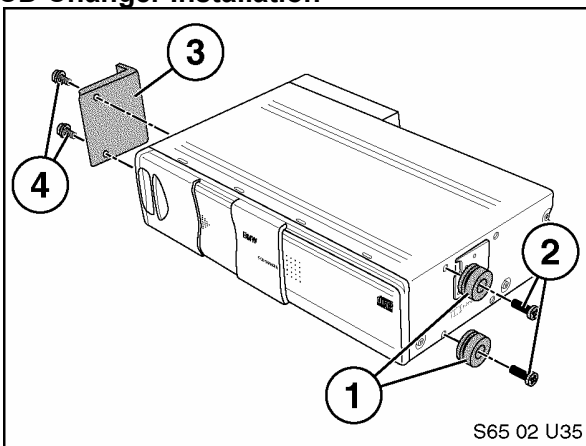


26. Remove electrical connector (1) from lamp module.
27. Carefully unthread manual override cable from plastic loop (2).
28. Remove 2 upper T20 mounting screws (3). Remove 2 rubber caps (4), then remove 2 lower T20 mounting screws (5).
29. Carefully pull back on Right panel and maneuver the ABS storage unit out of the vehicle. Be sure to disconnect lamp module connectors.

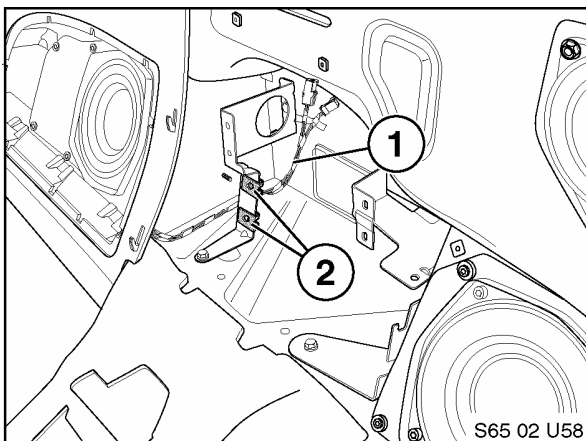


30. Install right (1) and left (2) mounting brackets using 4 M6x10 bolts (3&4) provided in hardware kit.

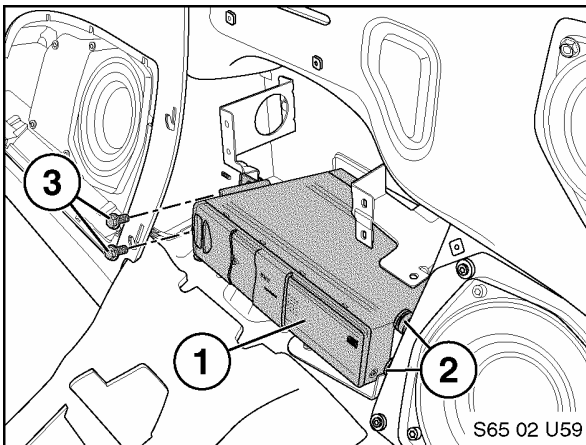
CD Changer Installation



31. Install 2 mounting bushings (1) as indicated using 2 M4x10 screws (2) provided in kit.
32. Mount RH Bracket (3) as indicated using 2 M4x6 screws (4) provided in kit.



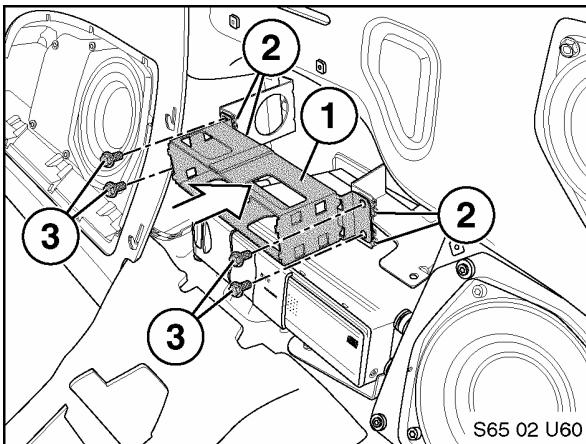
33. Insert 2 M5 Clip Nuts (2) as indicated.
34. Locate CD Changer Power and Audio leads (1). Connect CD Changer Power and Audio leads to CD Changer.



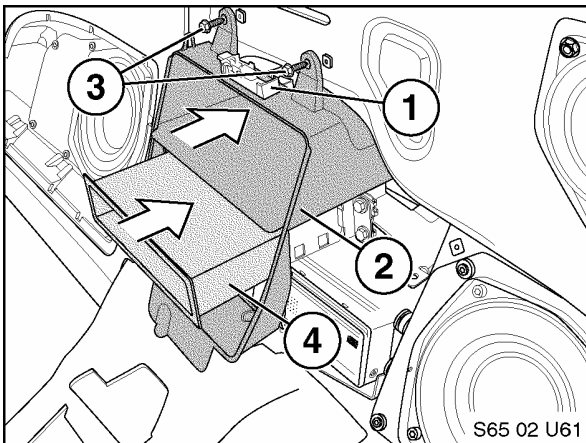
35. Maneuver CD Changer into place, then insert bushings (1) into slots in left bracket assembly.

36. Insert and tighten 2 M5x14 bolts (2) provided in parts kit through Right Hand bracket into clip nuts.

37. Test CD Changer for functionality.

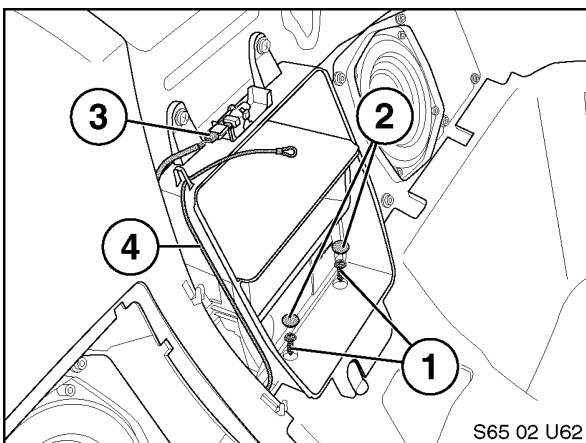


38. Install bracket cage (1) using 4 M5 clip nuts (2) and 4 M5x14 bolts (3) provided in parts kit.



39. Install lamp module (1) removed from ABS storage unit (see step 29) into new small oddments box (2). Thread Manual Override Cable to its lower guide location.

40. Insert original 2 T20 screws (3) into upper bin assembly. Insert plastic pocket (4) (carpet side down) into unused navigation location.

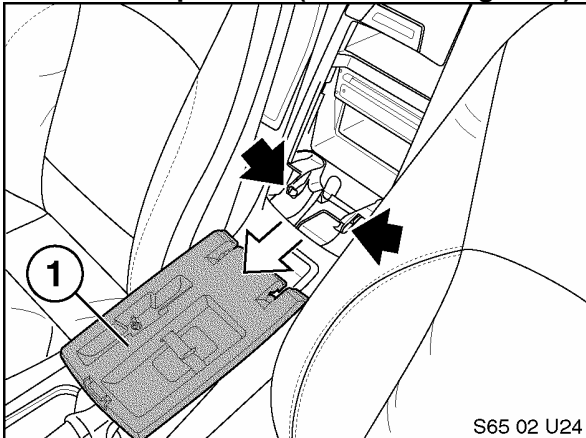


41. Insert original 2 T20 screws (1) and plugs (2) into lower bin assembly. Connect lamp terminal (3) to lamp module.

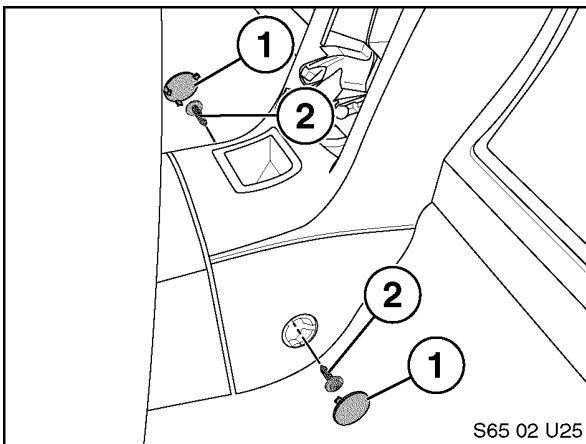
Note: Lower lamp terminal will no longer be used.

42. Thread manual override cable (4) through guiding loop.

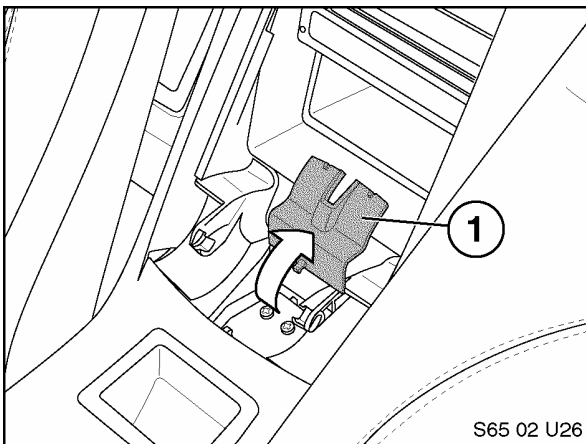
43. CD Changer installation is complete. Reinstall all parts removed in reverse order of installation.

Vehicle Preparation (Z4 With Navigation)

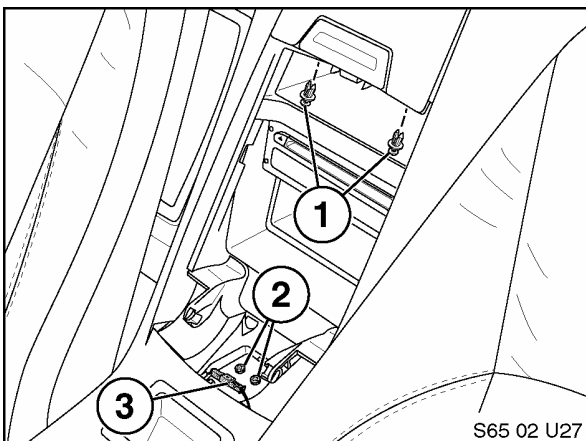
5. Lower convertible top.
6. Disengage Front Panel (1) from mounting points (indicated by black arrows) by carefully pulling panel towards front of vehicle while in the lowered position.



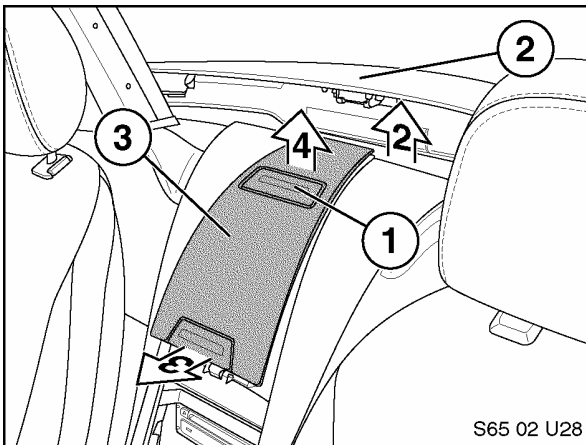
7. Slide seats forward. Remove left and right lower panel covers (1) and mounting screws (2).



8. Lift rearward and remove switch panel cover (1) to expose mounting screws.

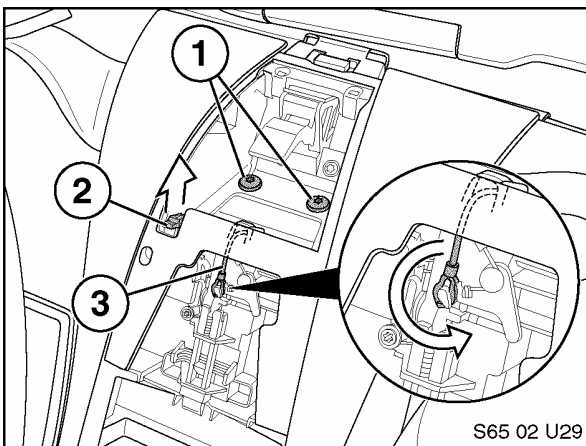


9. Unscrew 2 Phillips-head plastic rivets (1) and remove clips from vehicle.
10. Remove 2 T20 Torx screws (2).
11. Unplug electrical connector attached to micro switch (3).

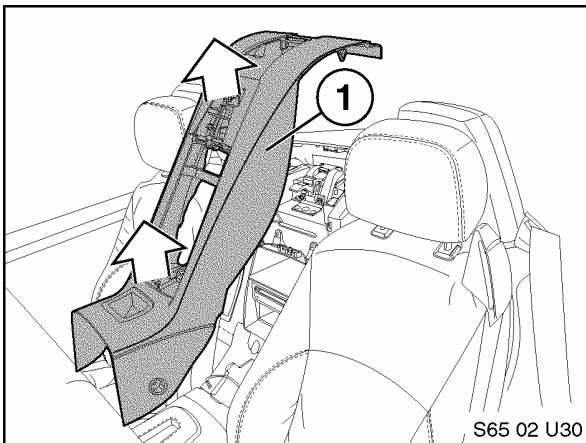


Note: To complete the following steps it will first be necessary to engage the manual release (1) and lift the convertible top (2) from its locked position by at least 3 inches.

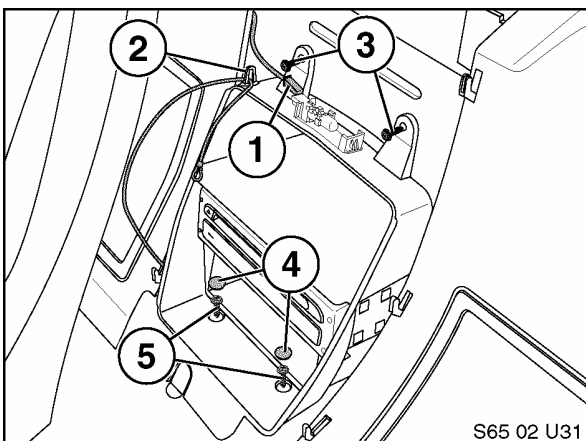
12. Pull lower half of Upper Panel Cover (3) until it disengages from the lower mounting clips.
13. Pull upper half of Upper Panel Cover upwards until it can be removed from the vehicle.



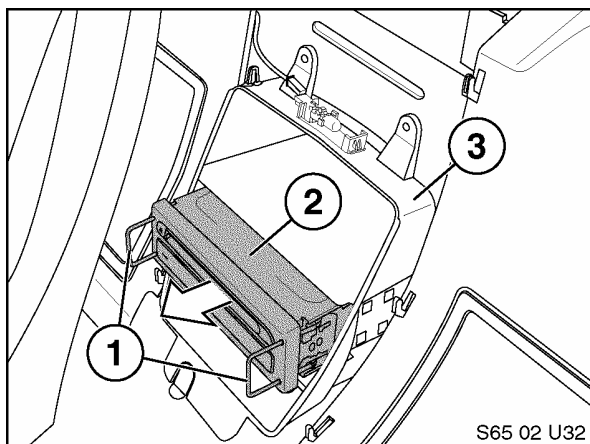
14. Remove 2 T30 Torx bolts (1).
15. Unplug electrical connector (2).
16. Rotate Manual Override Cable clip (1) counter-clockwise, then pull to disconnect from override lever.



17. It is now possible to remove Rear Console Assembly (1). Disengage upper clips by lifting assembly upwards and out of the vehicle.



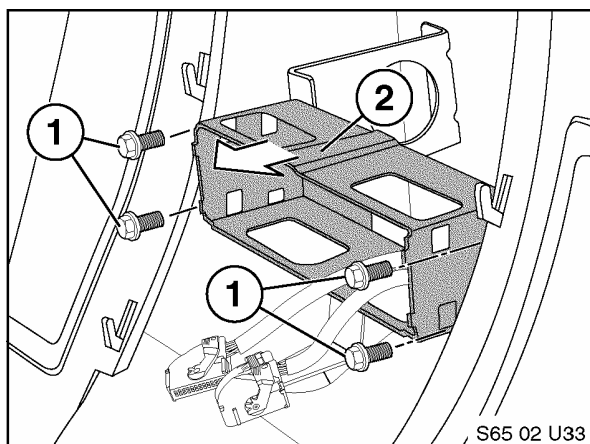
18. Remove electrical connector (1) from lamp module.
19. Carefully unthread manual override cable from plastic loop (2).
20. Remove 2 upper T20 mounting screws (3).
21. Remove 2 rubber caps (4), then remove 2 lower T20 mounting screws (5).



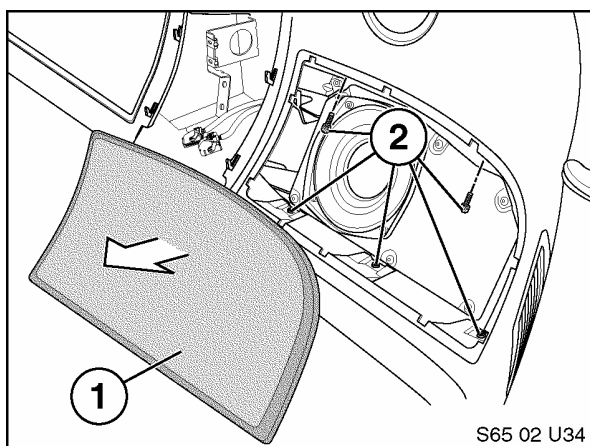
22. Using appropriate tools (1) (BMW P/N 90 88 6 655 400 or equivalent) remove Navigation Module (2) from mounting bracket. Disconnect cables from Navigation Module and remove module from vehicle.

23. Remove plastic bracket assembly (3) from vehicle.

Caution: Be careful not to damage manual override cable!



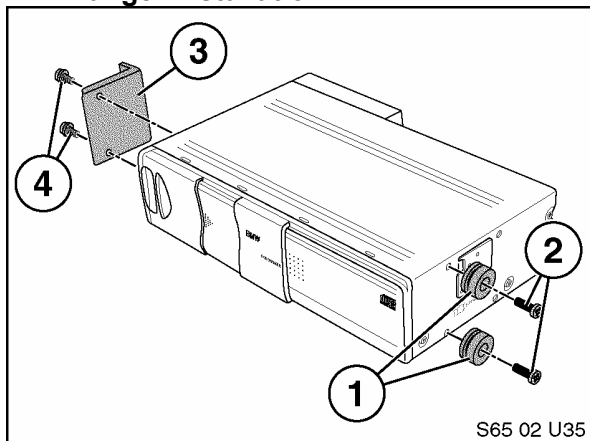
24. Remove 4 M5x14 bolts (1), then remove Navigation bracket (2) from vehicle.



25. Remove LH speaker grille (1) by carefully pushing outwards (from the rear).

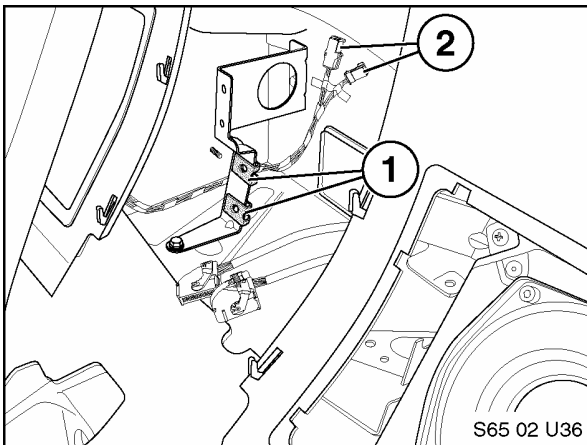
26. Remove 5 T20 Torx screws (2) to access open area behind rear panel.

CD Changer Installation



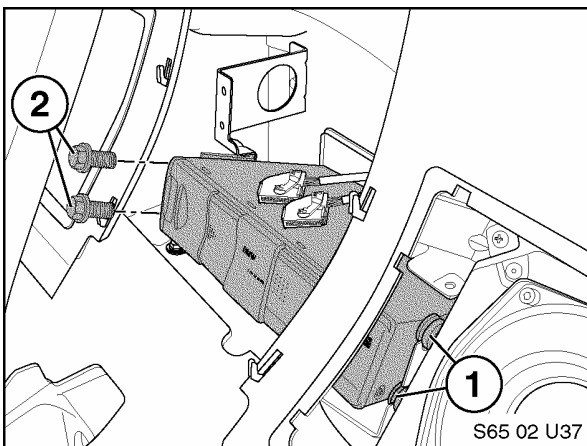
27. Install 2 LH mounting bushings (1) as indicated using 2 M4x12 screws (2) provided in kit.

28. Mount RH bracket (3) as indicated using 2 M4x6 screws (4) provided in kit.



29. Insert 2 M5 Clip Nuts (1) as indicated.

30. Locate CD Changer Power and Audio leads (2). Connect CD Changer power and Audio leads to CD Changer.



31. Carefully pull back Left rear panel. Maneuver CD Changer into place, then insert bushings (1) into slots in left bracket assembly.

32. Insert and tighten 2 M5x14 bolts (2) provided in parts kit through Right Hand bracket into clip nuts.

33. CD Changer installation is complete. Test CD Changer for functionality.

34. Reinstall all parts removed in reverse order of installation.